

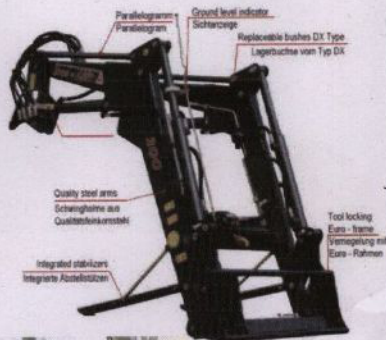
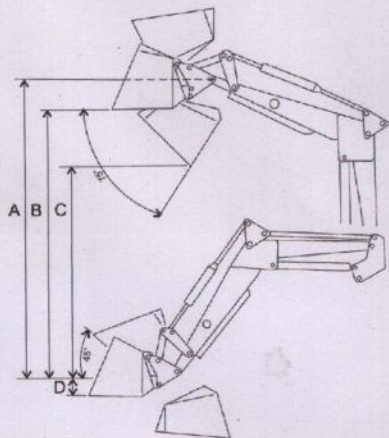
# Frontlastare



## Trac - Lift $\Delta$ 220

## Trac - Lift $\Delta$ 260

	TL 220	TL 260
A - Max. height of the boom = Lyfthöjd i armcentrum	3700 mm	3700 mm
B - Loading height = Lyfthöjd under redskap	3350 mm	3350 mm
C - Filling height = Höjd under tippat redskap	2800 mm	2800 mm
D - Depth reach = Djup under markplan	150 mm	150 mm
Lifting force - = Lyftkraft i markplan	2300 kg	2300 kg
Lifting force - up = Lyftkraft fullhöjd	1700 kg	1700 kg
Max. dump angle = Max tippvinkel	75°	75°
Max. bucket rollback angle = Max brytvinkel	45°	45°
Width of the boom = Bredd mellan armarna (c/c)	950 mm	1100 mm



Generalagent

**BE-GE**

Maskin i Åstorp AB tel. 042-575 65